

Secret Santa—Finishing Template

Thank you for stitching this somewhat silly, a touch of sparkly, with a dash of secret... series!

By now you know the big secret (you get a portion of the 9th Santa on each of the 8 releases!) & are ready to finish!

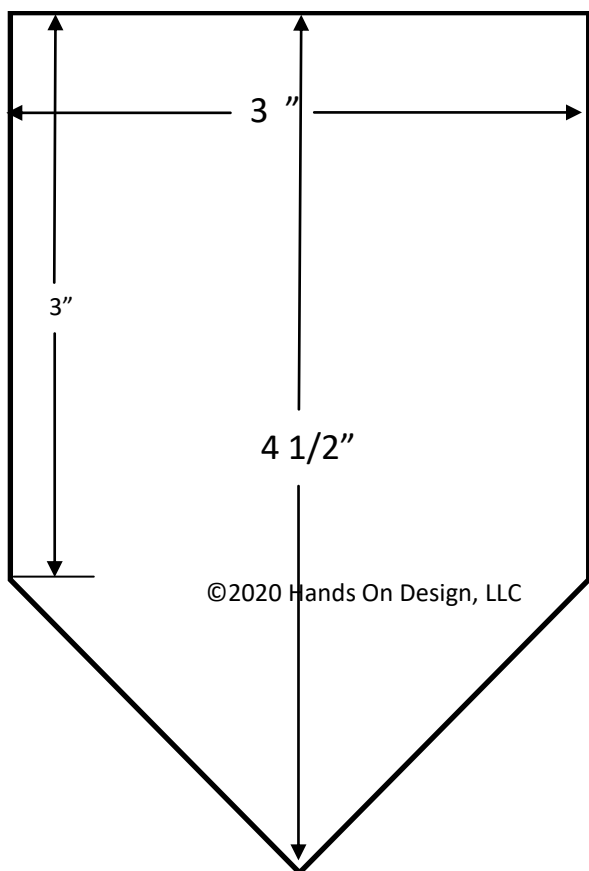
I've provided a template below which is the exact size that was used in the pictured finishes. You just need to grab some matboard, cardboard, batting, ribbon & all of those extra little bits to fully-finish your series!

Please follow my other Flat-Finishing tutorials for guidance on setting up your cut boards, lacing & stitching front to back. Print out this page & adjust as necessary so that the dimensions of the template measure what it should be.

I chose to use ribbon for a hanger & add a secondary bow—it is just put in place with a coordinating ball head pin.

The ladies at Just Another Button Company designed a great new bead to coordinate with my series. Be sure to order them through your local or online shop. They are also available at www.justanotherbuttoncompany.com—10474.G—I've provided a few photos to show you how they are attached.

You will need to cut 18 pattern pieces in all to complete all 9 ornaments. I would trace this onto a piece of cardboard & cut to use as a template. This will make your tracing more consistent.



Have fun finishing & be sure to show your finishes using the hashtag — #secretsanta.

Enjoy the stitch,

Cathy, Hands On Design

